

Open and print off our "Site Measure Form" from the website.  
Fill out all details including the customer name and contact number.

1300 925 563  
info@techniko.com.au

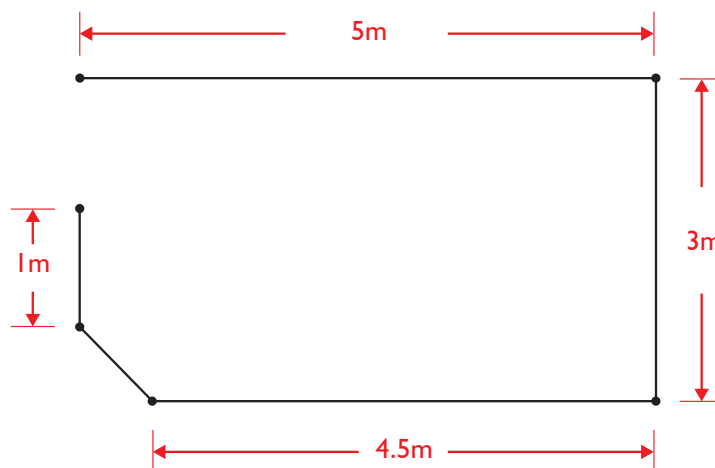
**IMPORTANT** - Please check your local council requirements as to their approved wall height

## TOP VIEW

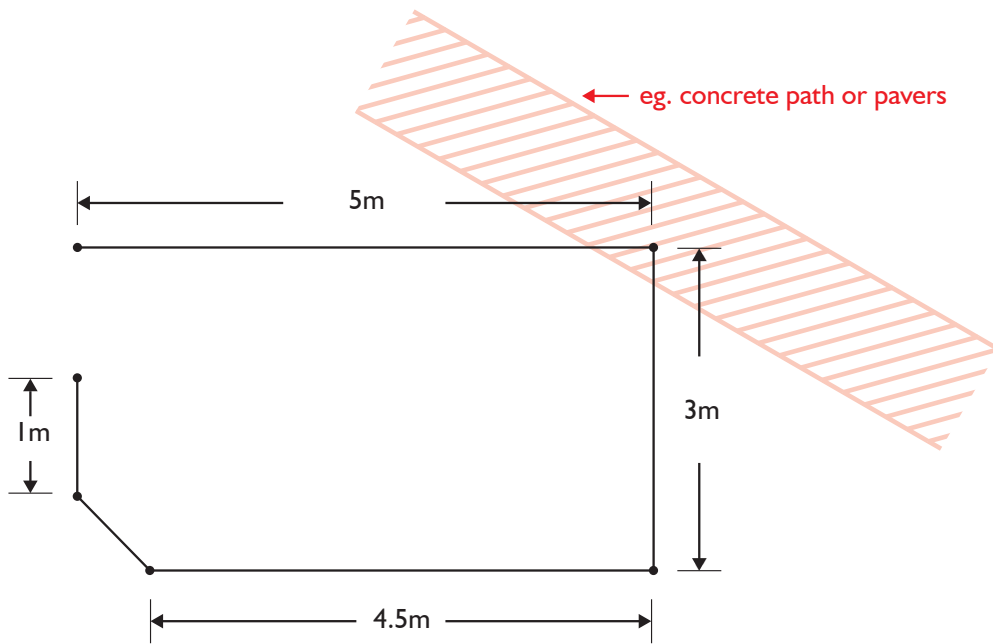
Sketch on the above form the plan (or top) view of your site, showing the intended wall line (90 and 45 degree corners only).



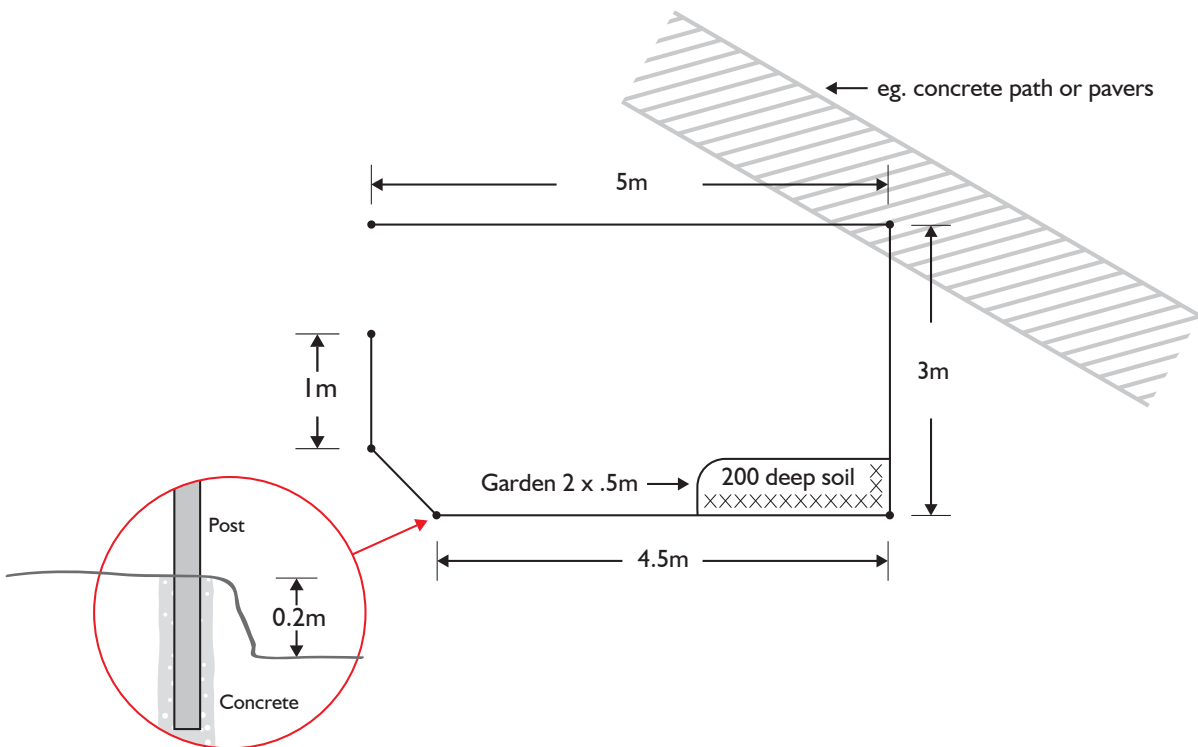
Measure your maximum overall dimensions and mark these on your plan in metres as shown below.  
(Please ensure your dimensions are within your legal boundary lines).



Mark and dimension any areas of concrete (path / block retaining wall) or other solid objects that may obstruct the post from being concreted into the ground. Use a shaded box and label the item as shown.



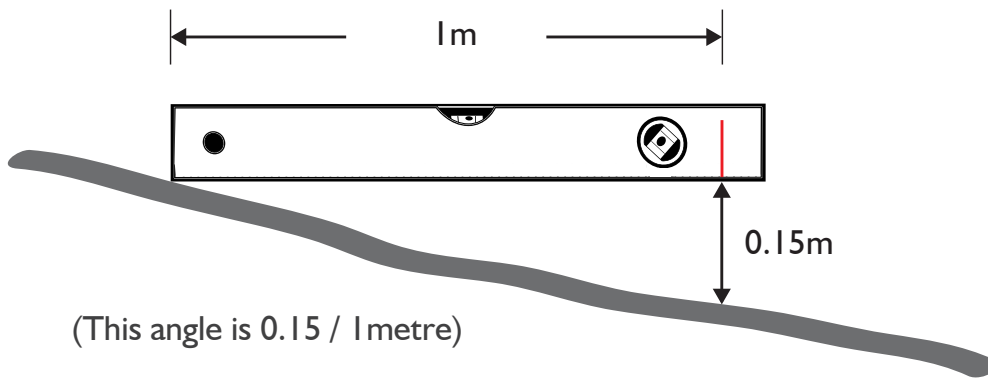
Clearly note any posts that will be installed alongside a sharp slope or retained soil, marking the height of the drop. (These posts will be supplied longer, to ensure solid footings).



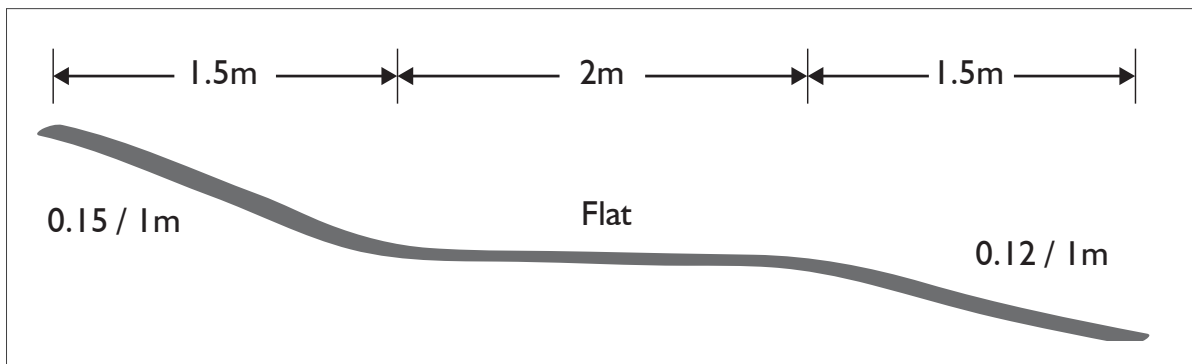
Show any other important features on your plan, including any streets, gardens, paths or buildings.

**SLOPE OF GROUND**

To measure the ground slope, you can take a standard spirit level, mark 1 metre in from one end with a pen and measure the fall distance as shown below.



Draw the ground slope in each elevation box provided on our site measure form. Show and dimension any irregularities in the ground, including flat spots or hollows and mark the angle of the slope as below.



Please scan and email or fax your plan to us for quoting. It is very helpful to us if, where possible, you can send us a few digital photographs of your site.